

MITSUBISHI DIODE MODULES
RM75TPM-H,-2H

MEDIUM POWER GENERAL USE
 INSULATED TYPE

RM75TPM-H,-2H



- **I_o** DC output current **150A**
- **V_{RRM}** Repetitive peak reverse voltage
 **800/1600V**

- **3 phase bridge**
- **Insulated Type**
- **UL Recognized**

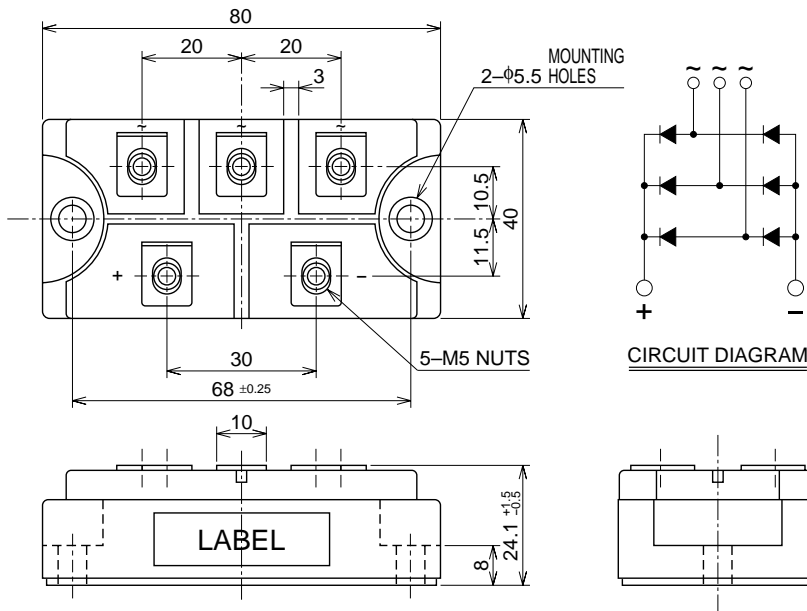
Yellow Card No. E80276 (N)
 File No. E80271

APPLICATION

AC motor controllers , DC motor controllers, Battery DC power supplies,
 DC power supplies for control panels, and other general DC power equipment

OUTLINE DRAWING & CIRCUIT DIAGRAM

Dimensions in mm



RM75TPM-H,-2H

MEDIUM POWER GENERAL USE
INSULATED TYPE

ABSOLUTE MAXIMUM RATINGS

Symbol	Parameter	Voltage class		Unit
		H	2H	
VRRM	Repetitive peak reverse voltage	800	1600	V
VRSM	Non-repetitive peak reverse voltage	960	1700	V
Ea	Recommended AC input voltage	220	440	V

Symbol	Parameter	Conditions	Ratings	Unit
Io	DC output current	Three-phase full wave rectifying circuit, Tc=85°C	150	A
IFSM	Surge (non-repetitive) forward current	One half cycle at 60Hz, peak value	1500	A
I ² t	I ² t for fusing	Value for one cycle of surge current	9380	A ² s
f	Maximum operating frequency		1000	Hz
Tj	Junction temperature		-40~+150	°C
Tstg	Storage temperature		-40~+125	°C
Viso	Isolation voltage	Charged part to case	2500	V
—	Mounting torque	Main terminal screw M5	1.47~1.96	N·m
			15~20	kg·cm
		Mounting screw M5	1.47~1.96	N·m
			15~20	kg·cm
—	Weight	Typical value	200	g

ELECTRICAL CHARACTERISTICS

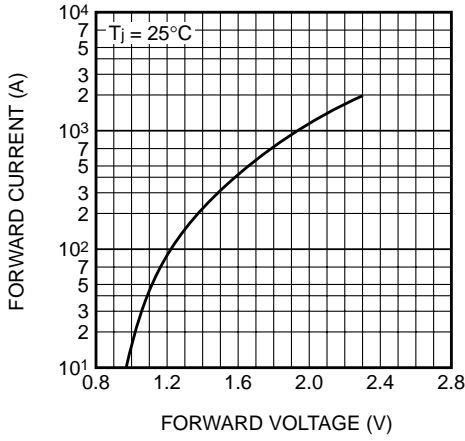
Symbol	Parameter	Test conditions	Limits			Unit
			Min.	Typ.	Max.	
I _{RRM}	Repetitive reverse current	T _j =150°C, VRRM applied	—	—	15	mA
V _{FM}	Forward voltage	T _j =25°C, I _{FM} =100A, instantaneous meas.	—	—	1.3	V
R _{th(j-c)}	Thermal resistance	Junction to case	—	—	0.13	°C/W
R _{th(c-f)}	Contact thermal resistance	Case to fin, conductive grease applied	—	—	0.06	°C/W
—	Insulation resistance	Measured with a 500V megohmmeter between main terminal and case	10	—	—	MΩ

RM75TPM-H,-2H

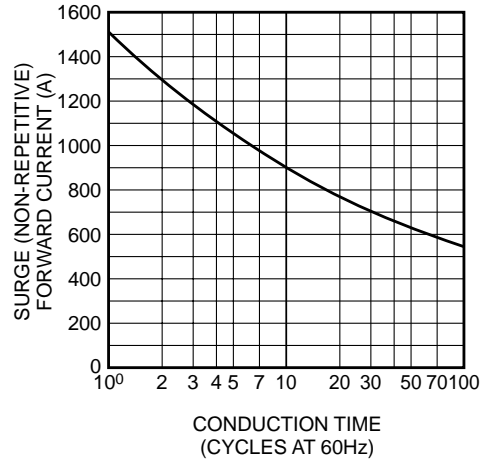
MEDIUM POWER GENERAL USE
INSULATED TYPE

PERFORMANCE CURVE

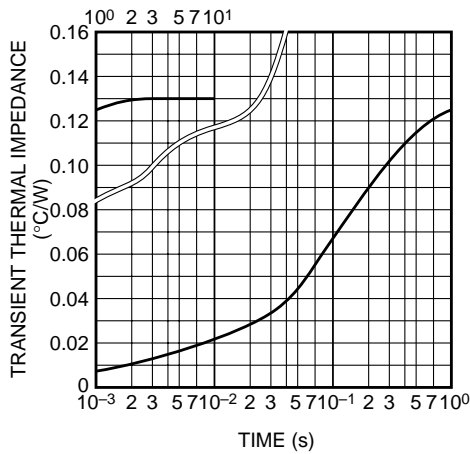
MAXIMUM FORWARD CHARACTERISTIC



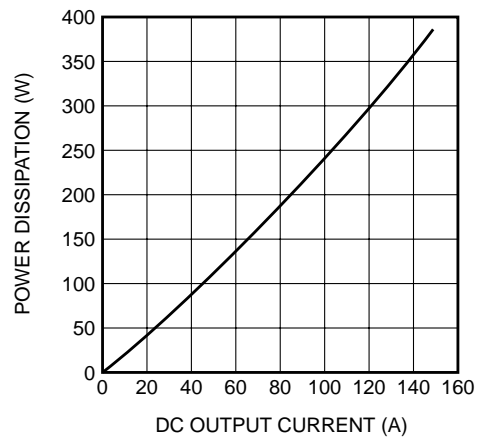
ALLOWABLE SURGE (NON-REPETITIVE) FORWARD CURRENT



MAXIMUM TRANSIENT THERMAL IMPEDANCE (JUNCTION TO CASE)



MAXIMUM POWER DISSIPATION



ALLOWABLE CASE TEMPERATURE VS. DC OUTPUT CURRENT

